

F1 CLOSE F2 OPEN
 F3 F4
 F5 TAGINFO F6

LoadC. PLC1 PLC2 PLC3

VB-444

ACK

11.28.2006	18.00.46	UNACKNOWLEDGED	COP 1 Warning Max Speed	OFF
11.28.2006	18.00.46	UNACKNOWLEDGED	COP 1 Warning Low Suction Pressure	OFF

VM237
Manual Valve

0.0

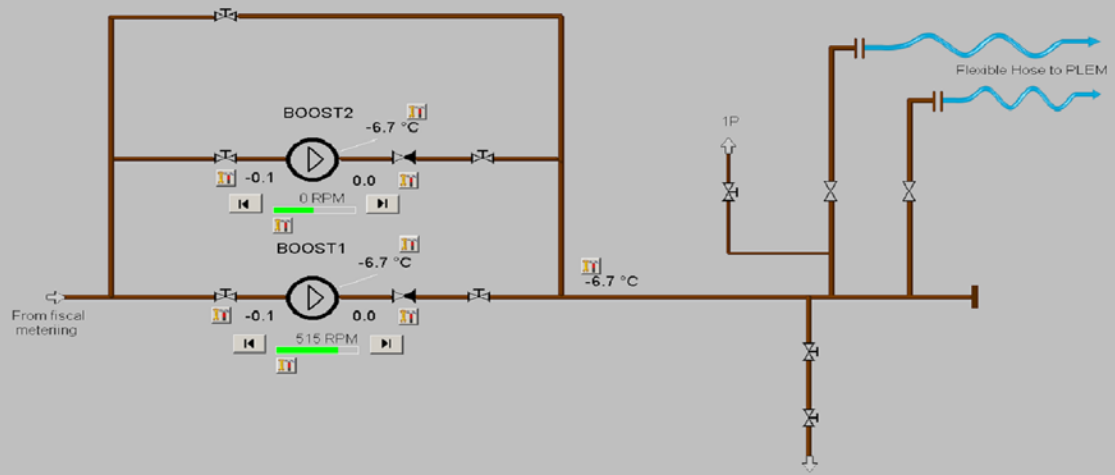
Current Discharge Mode
MANUAL
 Set Automatic

Portside Offload side **Starboard**

COP Discharge Pressure: 150.0

Booster Discharge Pressure: 150.0

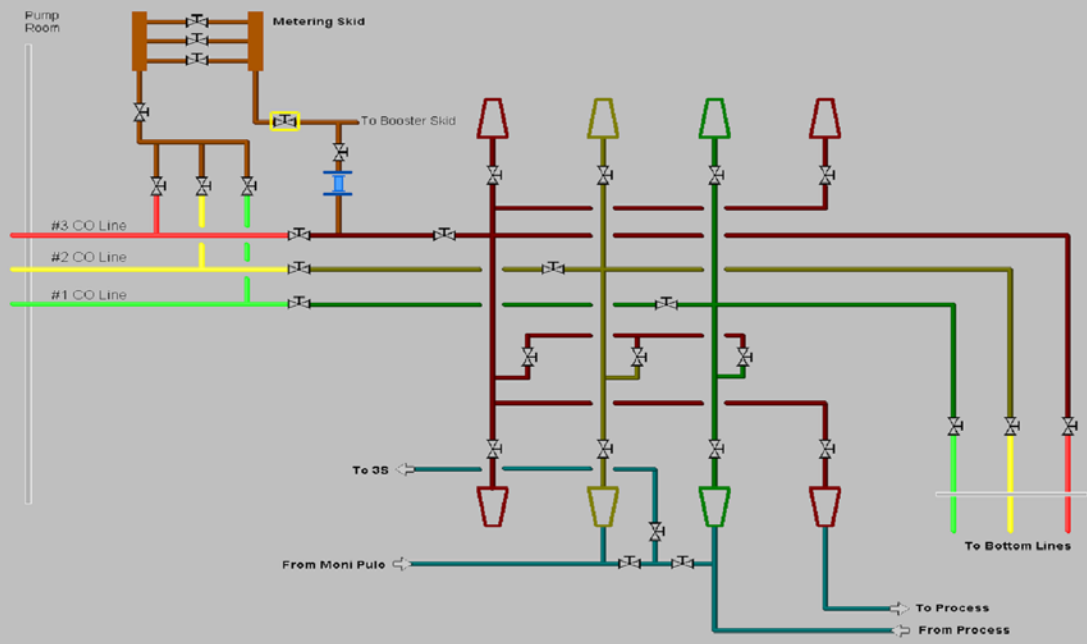
Differential Pressure: 100.0



F1
F2
F3
F4
F5 TAGINFO
F6

LoadC.	PLC1	PLC2	PLC3	VE-M-M	ACK
11.28.2006	18:00:46	UNACKNOWLEDGED	COP 1 Warning Max Speed	OFF	
11.28.2006	18:00:46	UNACKNOWLEDGED	COP 1 Warning Low Suction Pressure	OFF	

Offloading_starbord_manif
 Offloading operation on starbord manifold
 0.0



F1 CLOSE	F2 OPEN
F3	F4
F5 TAGINFO	F6

LoadC. PLC1 PLC2 PLC3 ACK

11.28.2006	18:00:46	UNACKNOWLEDGED	COP 1 Warning Max Speed	OFF
11.28.2006	18:00:46	UNACKNOWLEDGED	COP 1 Warning Low Suction Pressure	OFF

VM408
Manual Valve
0.0

