

SHIPMASTER

**CARGO AND BALLAST AUTOMATION
SHIP OFFICERS' CHOICE AND
A REVOLUTION IN FLEXIBILITY**





SHIPMASTER[®] AUTOMATION SYSTEM FOR CARGO AND BALLAST SYSTEM

Kockum Sonics offer a unique “one stop shopping” solution for ship’s automation and control systems.

We offer:

- Project Management in close co-operation with the customer.
- Modern components as per customer’s requests
- Over all responsibility for the entire project, including installation.
- Multi skilled installation engineers for shorter installation time.

The systems are tailor-made to be both cost-efficient and user friendly. As an experienced supplier to the marine industry we can guarantee that even your most demanding requirements will be met with extensive knowhow and innovative solutions.

SHIPMASTER® CARGO AND BALLAST AUTOMATION

Kockum Sonics' **SHIPMASTER®** provides a modern and flexible automation platform that runs in standard computers and is presented through a Human User Interface (HMI) based upon Microsoft Windows providing a greater ease of application and operator familiarity. Like so many of our products, the **SHIPMASTER®** and in particular its HMI, has been developed in conjunction with experienced onboard officers to reflect their actual day to day requirements.





➤ A MODULAR SYSTEM

SHIPMASTER® is a modular system that can be scaled to the individual customer's specifications no matter how large or small the project. At the core of the product are numerous standard control functions that can be enhanced by the addition of more advanced tools specific to each application. The flexible design structure of **SHIPMASTER®** allows us to incorporate such features as optional slave operation or full redundancy compliance. From basic stern ramp indication to deep well pump powerpack control we can provide a solution. Furthermore as all components are exchangeable and supportable they can be purchased easily and cost-effectively all around the world.

SHIPMASTER® INSTALLATION & VERIFICATION

For newbuilds or retrofits Kockum Sonics can design and manufacture a complete SHIPMASTER® system complying with the technical specification using primarily in-house components. We understand that the Yard and the Owner often have preferred hardware vendors and as such SHIPMASTER®'s range of communication and integration capabilities enables it to interface to, control and display virtually any shipboard component.

As part of our package we have a full scale simulation environment where the entire system is tested and FAT approved prior to final delivery enabling us to reduce the on-site commissioning time to an absolute minimum. The simulation environment is used for training of users. A training session prior to embarking the vessel is a great investment for the crew.



SHIPMASTER® THE PERFECT PLATFORM FOR RETROFIT

Typically, older vessels have automation systems based on legacy technologies and spare parts are rapidly becoming obsolete. A system failure or even continued support for such systems can be very costly. Apart from having a modern HMI and advanced system capabilities **SHIPMASTER®** utilizes standard PC components providing our customers access to spare parts at very low prices with great availability.

A flexible **SHIPMASTER®** retrofit installation could enable economically supportable components to be retained whilst incorporating new replacement units for obsolete or defective items. Kockum Sonics have through our many years of onboard installation experience developed the ability to install and implement the replacement automation system in parallel thus maximizing the vessel's trading capacity throughout the project.

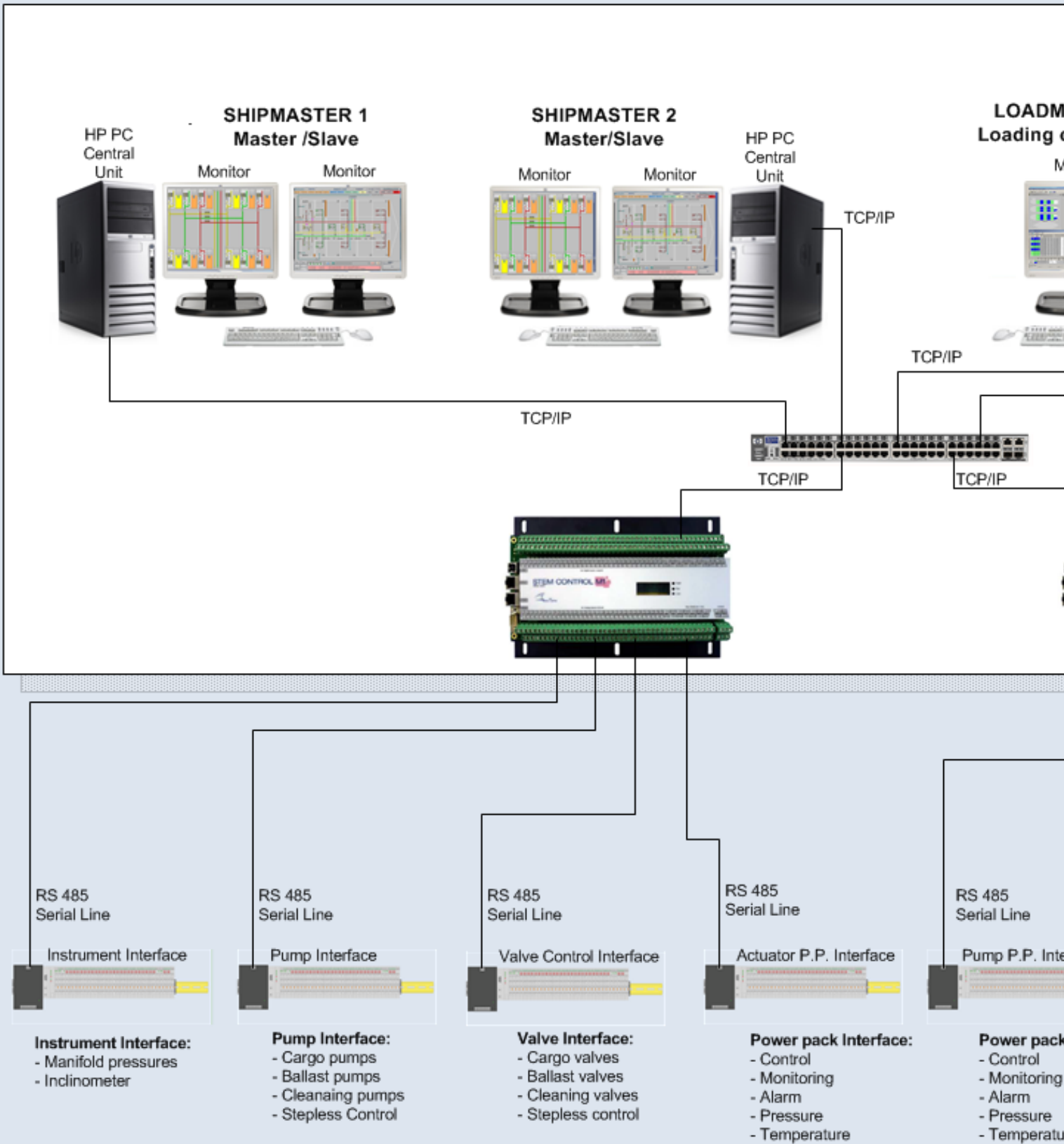


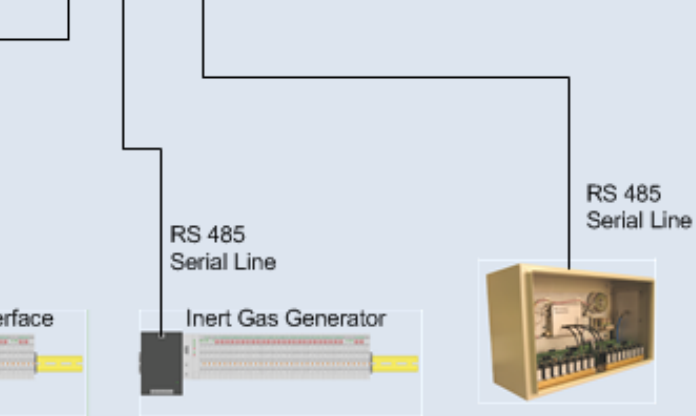
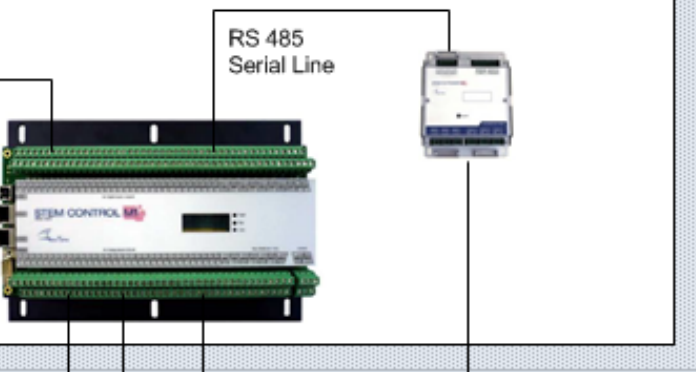
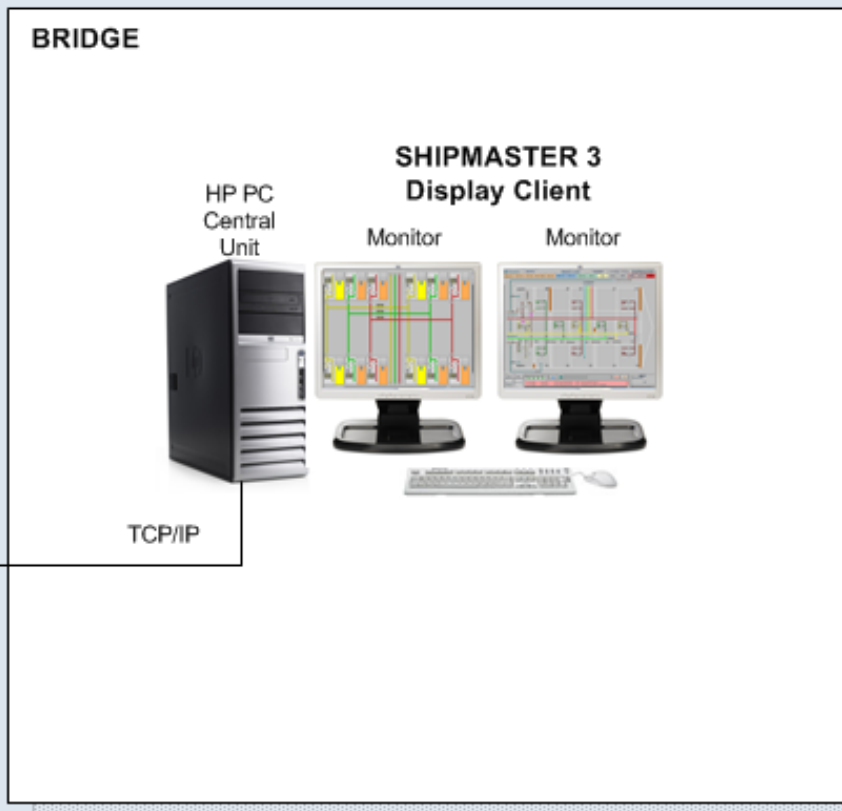
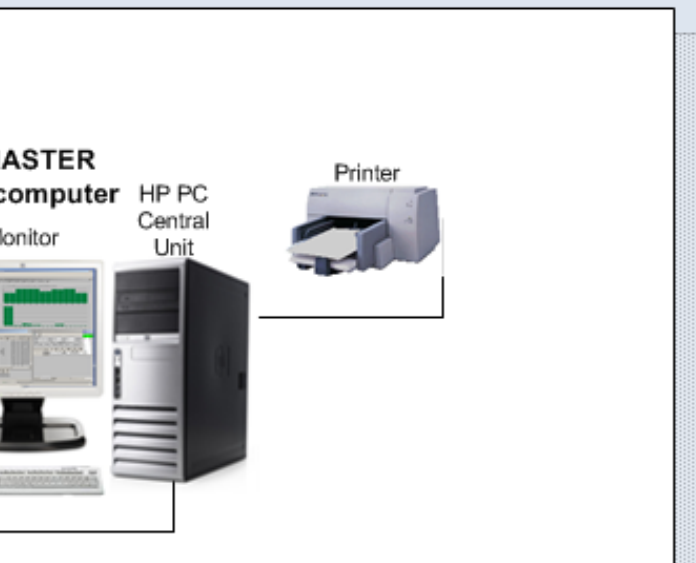
BEFORE



AFTER

CARGO CONTROL ROOM





Interface:

I.G. Generator Interface:

- Control
- Monitoring
- Pressure
- Oxygen content
- Alarms

LEVELMASTER H8:

- Ballast tank gauging
- Draft gauging
- HFO, DO, FW gauging

Cargo tank gauging:

- Radar sensor gauging
- Temperature
- IG Pressure

› **HISTORY OF KOCKUM SONICS TAKES IT'S HERITAGE FROM THE WORLD RENOWNED KOCKUMS SHIPYARD**

Kockum Sonics was established some 30 years ago. The company was formed by acquiring the departments for ship stability, signaling and level gauging from Kockums Shipyard. Most of the staff remained and the company gained a huge competitive advantage owing to the knowledge and experience retained. Combined with a sense of astute commercial management, the company's philosophy for continual development has consequently strengthened our position in all market sectors that we are involved in.

DELIVERY AS A SUCCESS FACTOR

To ensure prompt and reliable customer support our products and spare parts can be dispatched from any of our wholly-owned subsidiaries within the Kockumation Group dependent on the location of the customer. Key factors such as rapid delivery and excellent customer support are heavily focused upon and this is reflected by our brand new Asian hub that has been established to supply our complete product range of Kockum Sonics and Kockumation Group products within the Asian territories.

› **SERVICE AND SUPPORT THE COVERAGE YOU DESERVE**

The Kockumation Group has a world-wide network of fully owned subsidiary companies that spans the globe with branch offices in Switzerland, Great Britain, Russia and China to the Philippines. In addition to these, the Group also has a global network of local agents.

SHIPMASTER installations offer the Owner some key support benefits. Critical components such as the PCs are widely available off the shelf locally in most parts of the globe and our remote diagnostics and support team can solve most software issues using telephone and email communications enabling us to reduce onboard service costs to negligible levels.

KOCKUMATION GROUP **FOR YOUR ONBOARD OPERATION**

Markets and designs high-quality niche products revolving around our core knowledge in software automation, acoustics and mechatronics.

The group focuses on meeting demanding needs in the world wide marine and industrial markets with a strong commitment to customer satisfaction.

KOCKUM SONICS www.kockumsonics.com

Has built up an outstanding knowledge base and is always keen on new innovations. The marine product line consists of ship automation, loading computer, level gauging, ship whistle system and on board boiler sonic cleaning method.

POLARMARINE www.polarmarine.se

Polarmarine has since the beginning developed tank cleaning machines for all type of vessels with the onboard operation in focus. Polarmarine can supply the ship owner a complete product range including full cleaning pattern but with a reduced time cycle and less stop.

TEXON www.texon.se

Provides turn-key LNG automation solution packages. Combustion control system, burner management as well as boiler gas control is core knowledge. Texon Automation has over 30 years experience in newbuilding and retrofit projects.

OUR STRENGTH IS YOUR BENEFIT!



KOCKUMATION GROUP



Kockum Sonics



POLARMARINE

Texon

www.kockumation.se